

8

7

6

5

4

3

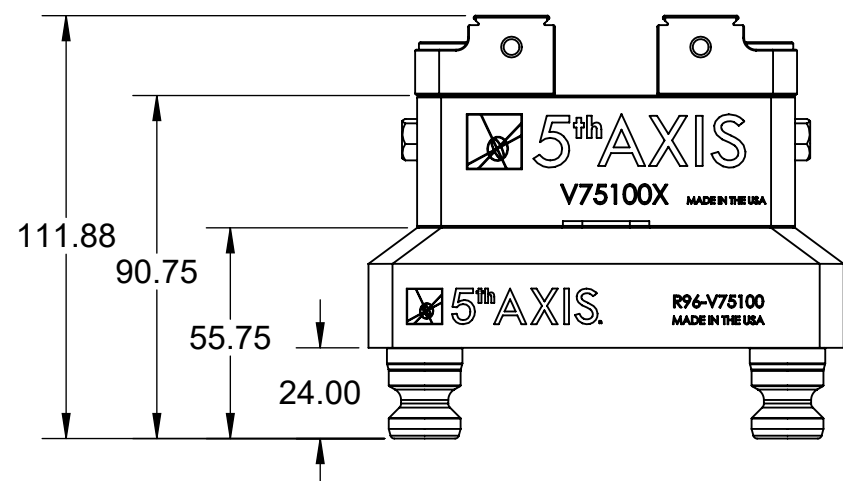
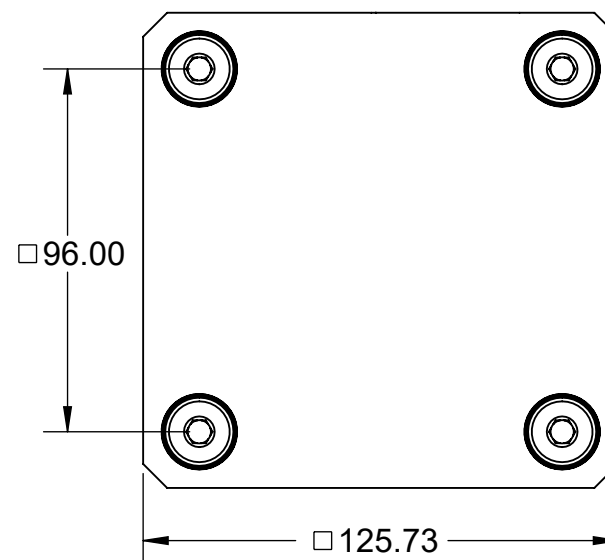
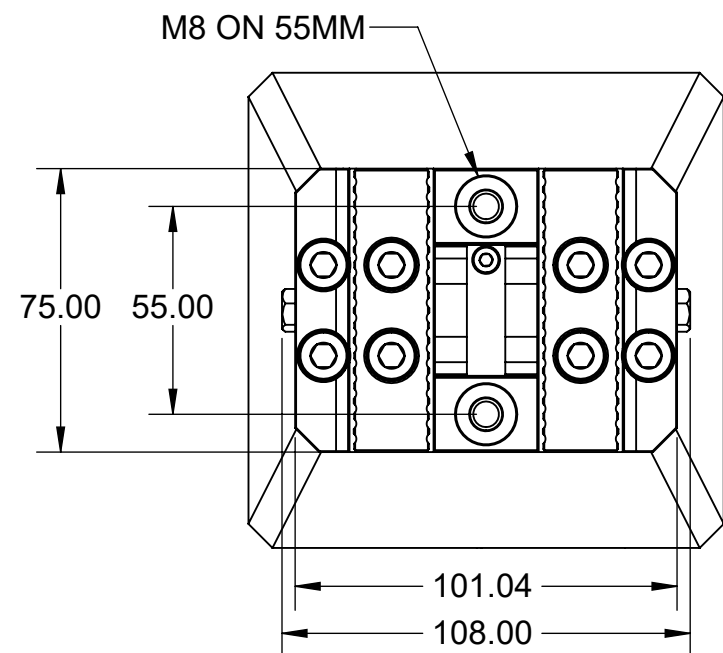
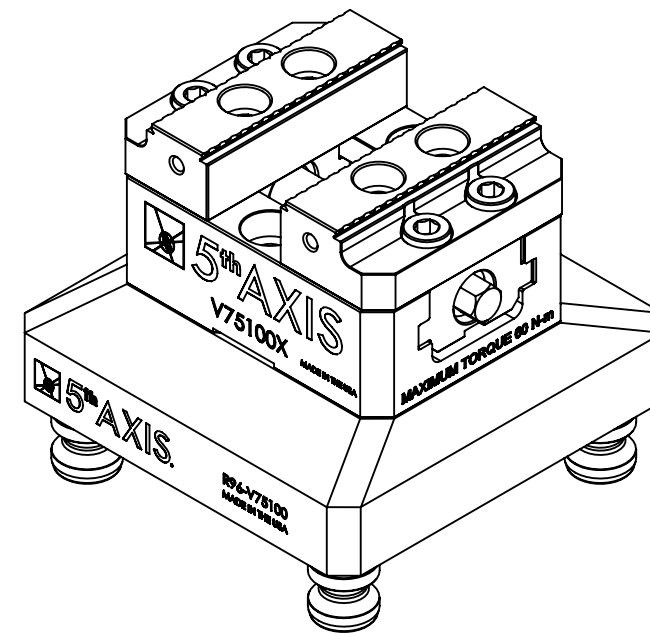
2

1

D

D

# R96-V75100X



C

C

B

B

A

A

8

7

6


5

4

3

2

1

<b>MILLIMETER</b> <small>DRAWN IN ACCORDANCE WITH ASME Y14.5-2009</small>	<b>TOLERANCES</b> <small>UNLESS OTHERWISE SPECIFIED</small> x ± 0.1    .xx ± 0.01 .x ± 0.05    .xxx ± 0.005 ANGULAR ± 0.5° <small>THIRD ANGLE PROJECTION</small>			
		<b>ROCKLOCK™ 96MM V75100X FIXTURE</b>		
WWW.5THAXIS.COM  7140 ENGINEER ROAD SAN DIEGO, CA 92111  P (858) 505-0432 F (858) 505-9344	<small>DESCRIPTION</small> <b>R96-V75100X</b>	<small>SIZE</small> <b>B</b>	<small>PART NO.</small> <b>R96-V75100X</b>	<small>REV</small> <b>A</b>
<small>DO NOT SCALE DRAWING</small>		<small>SCALE 1:2</small>	<small>WEIGHT: TBD</small>	<small>SHEET 1 OF 1</small>

8

7

6

5

4

3

2

1

D

D

C

C

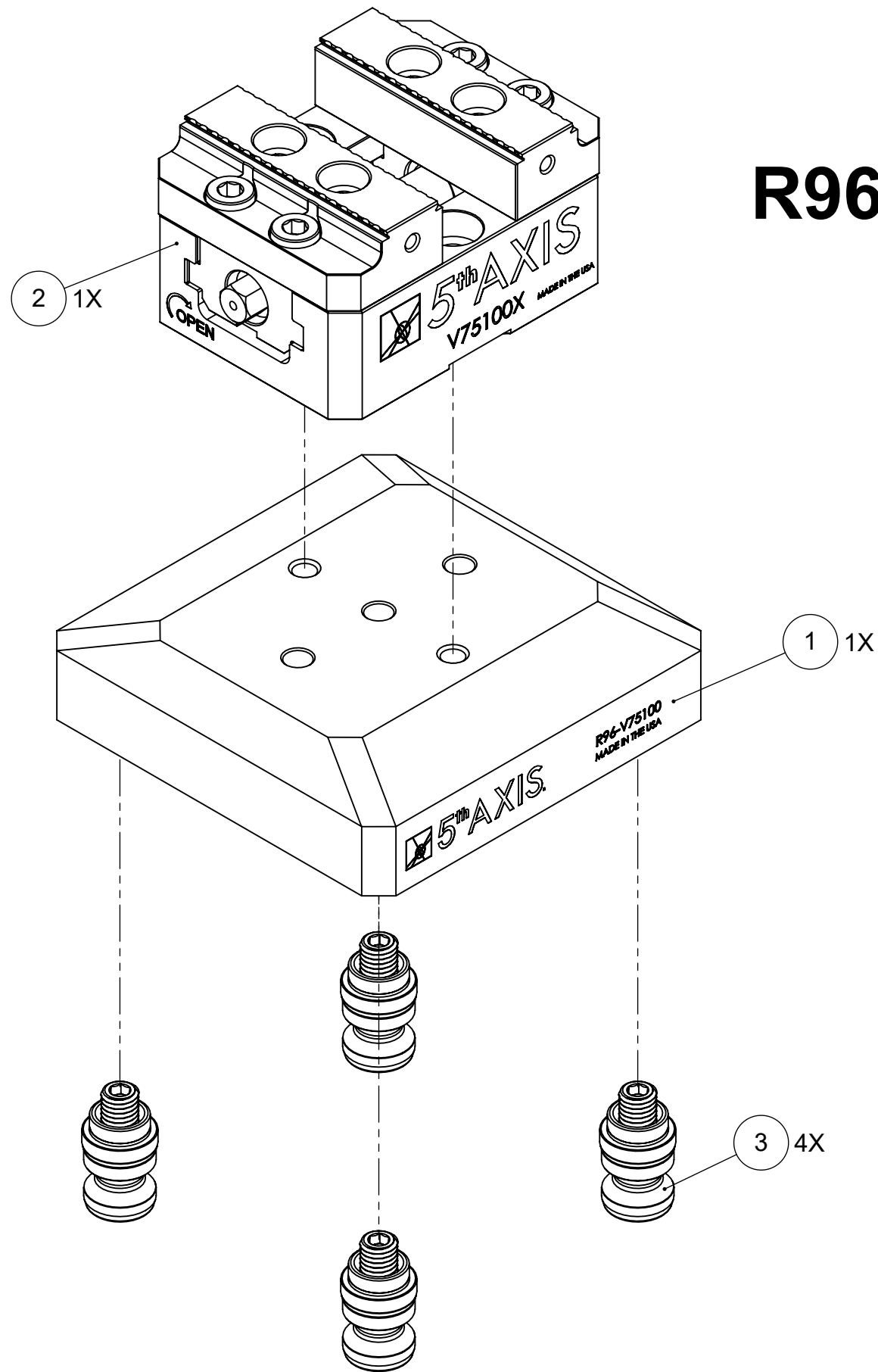
B

B

A

A

# R96-V75100X



ITEM NO.	PART NUMBER	DESCRIPTION	QTY.
1	R96-V75100-1	RISER, DROP LOCK, DL96 TO V75100 VISE	1
2	V75100X	VISE, 75MM X 100MM, SELF-CENTERING	1
3	PS20F	ROCKLOCK INTERFACING PIN	4

<b>MILLIMETER</b> <small>DRAWN IN ACCORDANCE WITH ASME Y14.5-2009</small>  <small>WWW.5THAXIS.COM</small>  <small>7140 ENGINEER ROAD SAN DIEGO, CA 92111</small>  <small>P (858) 505-0432 F (858) 505-9344</small>	<b>TOLERANCES</b> <small>UNLESS OTHERWISE SPECIFIED</small> x ± 0.1    .xx ± 0.01 .x ± 0.05    .xxx ± 0.005 ANGULAR ± 0.5° <small>THIRD ANGLE PROJECTION</small>			
		<b>ROCKLOCK™ 96MM V75100X FIXTURE</b>		
<small>DESCRIPTION</small>		<small>SIZE</small> <b>B</b>	<small>PART NO.</small> <b>R96-V75100X</b>	<small>REV</small> <b>A</b>
<small>DO NOT SCALE DRAWING</small>		<small>SCALE 2:3</small>	<small>WEIGHT: TBD</small>	<small>SHEET 1 OF 1</small>

8

7

6

5

4

3

2

1